

MINI SPOOL VALVE

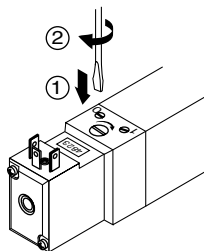
Solenoid air operated
Tapped Ø M5 - joinable subbases

SPECIFICATIONS

FLUID : Air or neutral gas, filtered, lubricated or not
 PORTS : M5 or flange with instant fittings (ports 2 - 4)
 ORIFICE Ø : 2,5 mm
 FLOW (at 6 bar) : 175 l/min (ANR) - Kv : 2,5
 PRESSURE : 1.5 to 8 bar
 TEMPERATURE : +5 °C, +50 °C
 FUNCTIONS : 5/2 - 5/3
 OPERATORS : solenoid air operated with internal supply
 MOUNTING : **single or joinable subbases**

CONSTRUCTION

VALVE
 Body in light alloy, cover in acetal resin (POM)
 Internal parts in stainless steel, light alloy and acetal resin (POM)
 Sealings in nitrile (NBR)
 Impulse manual override, latchable in hold position (push - turn)
PILOT
 Sealing in nitrile (NBR)
 Electrical equipment complies with standard NF C79300
 Encapsulated coil and iron circuit



1 = Pressure 12 = Return
 2,4 = Outlets 14 = Pilot
 3,5 = Exhausts

ELECTRICAL CHARACTERISTICS

Voltages		Consumption	Insulation class	Protection degree	Electrical connection
~	24V-115V-230V - 50/60 Hz	2 VA (1,5 W)	F	IP 65	Connector rotatable x 90° CM6 (Pg7P)
=	24V	1,6 W			

CHOICE OF EQUIPMENT

	Symbols Functions	Operators		Flow at 6 bar		Response time (ms)		Voltages	CODES		
		Pilot (14)	Return (12)	(l/min) ANR	coef. KV	Ener- gized	De-ener- gized				
5/2		Solenoid air	Differential	175	2,5	20	30	24V ~	51900002		
									115V ~	51900003	
									230V ~	51900004	
									24V =	51900001	
		Solenoid air	Solenoid air					20	-	24V ~	51900006
										115V ~	51900007
								230V ~	51900008		
								24V =	51900005		
5/3		Pressure held W1 Solenoid air operated				20	50	24V ~	51900010		
					115V ~			51900011			
					230V ~			51900012			
			Pressure applied W2 Solenoid air operated				20	50	24V ~	51900126	
									115V ~	51900127	
									230V ~	51900128	
								24V =	51900129		
		Pressure release W3 Solenoid air operated				20	50	24V ~	51900087		
								115V ~	51900088		
								230V ~	51900089		
								24V =	51900090		

ACCESSORIES

Visual indicator (LED) and electrical protection (see P515-3)	24V =/~ 115V ~ 230V ~	88130401 88130402 88130403
Connector size 15 with cable, 2 m long		88143567
Connector size 15 with built-in visual indication and protection, with cable outlet, 2 m long (see P515-2).	24V =/~	88143580
Flange for ports 2 - 4 with instant fittings for flexible tube 4 mm O.D.		88135525

SUBBASES : possible mounting on joinable subbases (see pages 9 and 10). Fixing screws and seals are supplied with subbases.

SPECIFICATIONS

FLUID : Air or neutral gas, filtered, lubricated or not
 PORTS : instant fittings or tapped G 1/8
 FLOW (at 6 bar) : 400 l/min (ANR) - Kv : 5,7
 PRESSURE : 1,5 to 8 bar
 TEMPERATURE : +5 °C to +50 °C
 FUNCTIONS : 3/2 NC - NO monostables
 OPERATORS : solenoid air operated with internal supply
 return by spring/differential

MOUNTING

: **individual**

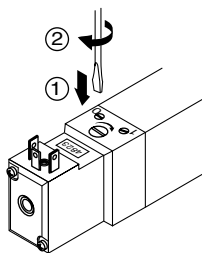
RESPONSE TIME

energized : 15 ms
 de-energized : 45 ms



CONSTRUCTION

VALVE
 Body and cover in acetal resin (POM)
 Internal parts in acetal resin (POM) and brass
 Sealings in nitrile (NBR)
 Impulse manual override
 Latchable in hold position (push - turn)
 PILOT
 Sealings in nitrile (NBR)
 Electrical equipment complies with standard NF C79300
 Encapsulated coil and iron circuit



1 = Pressure
 2 = Outlet
 3 = Exhaust

ELECTRICAL CHARACTERISTICS

Voltages		Consumption	Insulation class	Protection degree	Electrical connection
~	24V, 115V, 230V - 50/60 Hz	2 VA (1,5 W)	F	IP 65	Connector rotatable x 90° CM6 (Pg 7P)
=	24V	1,6 W			

CHOICE OF EQUIPMENT

Symbols Functions	Operators		Connections ports 1 - 2 - 3	Voltages	CODES
	Pilot (14)	Return (12)			
3/2 NC 	Solenoid air	Differential	Instant fittings Ø 6 mm O. D. tube	24V ~	52000214
				115V ~	52000215
				230V ~	52000216
				24V =	52000213
			Tapped G 1/8	24V ~	52000194
				115V ~	52000195
			230V ~	52000196	
			24V =	52000193	

Version 3/2 NO (Pressure 2,5 to 8 bar) : on request

ACCESSORIES

Visual indicator (LED) and electrical protection (see P515-3)	24V =/~ 115V ~ 230V ~	88130401 88130402 88130403
Connector size 15 with cable, 2 m long		88143567
Connector size 15 with built-in visual indication and protection, with cable outlet, 2 m long (see P515-2).	24V =/~	88143580

DIMENSIONS : see page 7

Series 520 (3/2)

MINI SPOOL VALVE

solenoid air operated

subbase mounted - adaptable on joinable subbases

port 2 with instant fittings 6 mm O. D. or tapped G 1/8

3/2

ports / positions

SPECIFICATIONS

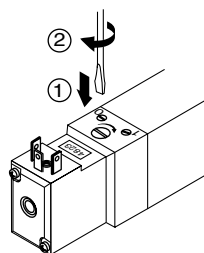
FLUID	: Air or neutral gas, filtered, lubricated or not
PORTS	: subbase (port 2 with instant fittings or tapped G 1/8)
FLOW (at 6 bar)	: 400 l/min (ANR) - Kv : 5,7
PRESSURE	: 1,5 to 8 bar
TEMPERATURE	: +5 °C to +50 °C
FUNCTIONS	: 3/2 NC - NO monostables
OPERATORS	: solenoid air operated with internal supply return by spring/differential

MOUNTING

RESPONSE TIME	: on joinable subbase
	energized : 15 ms
	de-energized : 45 ms

CONSTRUCTION

VALVE
 Body and cover in acetal resin (POM)
 Internal parts in acetal resin (POM) and brass
 Sealings in nitrile (NBR)
 Impulse manual override
 Latchable in hold position (push - turn)
 PILOT
 Sealings in nitrile (NBR)
 Electrical equipment complies with standard NF C79300
 Encapsulated coil and iron circuit



1 = Pressure
 2 = Outlet
 3 = Exhaust



ELECTRICAL CHARACTERISTICS

Voltages		Consumption	Insulation class	Protection degree	Electrical connection
~	24V, 115V, 230V - 50/60 Hz	2 VA (1,5 W)	F	IP 65	Connector rotatable x 90° CM6 (Pg 7P)
=	24V	1,6 W			

CHOICE OF EQUIPMENT

Symbols Functions	Operators		Connection ports 2 (ports 1 and 3 : subbase)	Voltage	CODES
	Pilo (14)	Return (12)			
3/2 NC 	Solenoid air	Differential	Instant fittings Ø 6mm O. D. tube	24V ~	52000210
				115V ~	52000211
				230V ~	52000212
				24V =	52000209
			Tapped G 1/8	24V ~	52000190
				115V ~	52000191
			230V ~	52000192	
			24V =	52000189	

Version 3/2 NO (Pressure 2,5 to 8 bar) : on request

ACCESSORIES

Visual indicator (LED) and electrical protection (see P515-3)	24V =/~ 115V ~ 230V ~	88130401 88130402 88130403
Connector size 15 with cable, 2 m long		88143567
Connector size 15 with built-in visual indication and protection, with cable outlet, 2 m long (see P515-2).	24V =/~	88143580

SUBBASES

Possible mounting on joinable subbase (see page 9). Fixing screws and seals are supplied with subbases.

DIMENSIONS : See page 8

MINI SPOOL VALVE

Solenoid air operated
Tapped G 1/8 - joinable subbases

SPECIFICATIONS

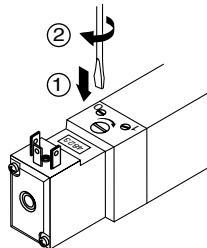
- FLUID : Air or neutral gas, filtered, lubricated or not
- PORTS : G 1/8 or flange with instant fittings (ports 2 - 4)
- ORIFICE Ø : 4 mm
- FLOW (at 6 bar) : 600 l/min (ANR) - Kv : 8,5
- PRESSURE : 1,5 to 8 bar
- TEMPERATURE : +5 °C, +50 °C
- FUNCTIONS : 5/2 - 5/3 (3/2 function : consult us)
- OPERATORS : solenoid air operated with internal supply
- MOUNTING : single or joinable subbases**
Other version : valves and joinable subbases with built-in connections (see page 11)

CONSTRUCTION

- VALVE**
- Body in light alloy and cover in acetal resin (POM)
- Internal parts in stainless steel, light alloy and acetal resin (POM)
- Sealings in nitrile (NBR)
- Impulse manual override, latchable in hold position (push - turn)

PILOT

- Sealing in nitrile (NBR)
- Electrical equipment complies with standard NF C79300
- Encapsulated coil and iron circuit



- 1 = Pressure
- 12 = Return
- 2,4 = Outlets
- 14 = Pilot
- 3,5 = Exhausts

ELECTRICAL CHARACTERISTICS

Voltages		Consumption	Insulation class	Protection degree	Electrical connection
~	24V-115V-230V - 50/60 Hz	2 VA (1,5 W)	F	IP 65	Connector rotatable x 90° CM6 (Pg 7P)
=	24V	1,6 W			

CHOICE OF EQUIPMENT

	Symboles Fonctions	Operators		Flow		Response time (ms)		Voltages	CODES
		Pilot (14)	Return (12)	at 6 bar (l/min) ANR	coef. KV	Ener-gized	De-ener-gized		
5/2		Solenoid air	Spring	600	8,5	20	30	24V ~ 115V ~ 230V ~	52000386 52000387 52000388
		Solenoid air	Differential			20	30	24V ~ 115V ~ 230V ~	52000002 52000003 52000004
		Solenoid air	Solenoid air			20	-	24V ~ 115V ~ 230V ~	52000006 52000007 52000008
5/3		Pressure held W1 Solenoid air operated				20	50	24V ~ 115V ~ 230V ~	52000010 52000011 52000012
		Pressure applied W2 Solenoid air operated				20	50	24V ~ 115V ~ 230V ~	52000126 52000127 52000128
		Pressure release W3 Solenoid air operated				20	50	24V ~ 115V ~ 230V ~	52000087 52000088 52000089
						24V =	52000009		
						24V =	52000129		
						24V =	52000090		

ACCESSORIES

Visual indication (LED) and electrical protection (see P515-3)	24V =/~ 115V ~ 230V ~	88130401 88130402 88130403
Connector size 15 with cable, 2 m long		88143567
Connector size 15 with built-in visual indication and protection, with cable outlet, 2 m long (see P515-2).	24V =/~	88143580
Flange for ports 2 - 4 with instant fittings for flexible tube 6 mm O.D.		88135532

SUBBASES : possible mounting on joinable subbases (see page 9). Fixing screws and seals are supplied with subbases.

All leaflets are available on: www.ascojoucomatic.com

MINI SPOOL VALVE

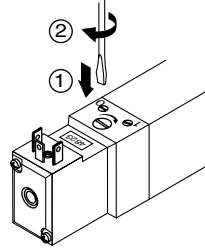
Solenoid air operated
Tapped G 1/4 - joinable subbases

SPECIFICATIONS

FLUID : Air or neutral gas, filtered, lubricated or not
 PORTS : G 1/4
 ORIFICE Ø : 6 mm
 FLOW (at 6 bar) : 1050 l/min (ANR) - Kv : 15
 PRESSURE : 1,5 to 8 bar
 TEMPERATURE : +5 °C, +50 °C
 FUNCTIONS : 5/2 - 5/3
 OPERATORS : solenoid air operated with internal supply
 MOUNTING : **single or joinable subbases**

CONSTRUCTION

VALVE
 Body in light alloy and cover in acetal resin (POM)
 Internal parts in stainless steel, light alloy and acetal resin (POM)
 Sealings in nitrile (NBR)
 Impulse manual override, latchable in hold position (push - turn)
PILOT
 Sealing in nitrile (NBR)
 Electrical equipment complies with standard NF C79300
 Encapsulated coil and iron circuit



1 = Pressure 12 = Return
 2,4 = Outlets 14 = Pilot
 3,5 = Exhausts

ELECTRICAL CHARACTERISTICS

Voltages		Consumption	Insulation class	Protection degree	Electrical connection
~	24V-115V-230V - 50/60 Hz	2 VA (1,5 W)	F	IP 65	Connector rotatable x 90° CM6 (Pg 7P)
=	24V	1,6 W			

CHOICE OF EQUIPMENT

Symbols Functions	Operators		Flow at 6 bar (l/min) ANR		coef. KV	Response time (ms)		Voltages	CODES							
	Pilot (14)	Return (12)				Ener- gized	De-ener- gized									
	Solenoid air	Differential	1050	15	20	30	24V ~	52100002								
							115V ~		52100003							
							230V ~		52100004							
							24V =		52100001							
	Solenoid air	Solenoid air	1050	15	20	-	24V ~	52100006								
							115V ~		52100007							
							230V ~		52100008							
							24V =		52100005							
									Pressure held W1 Solenoid air operated		1050	15	20	50	24V ~	52100010
															115V ~	
230V ~	52100012															
	Pressure applied W2 Solenoid air operated		1050	15	20	50	24V ~	52100126								
							115V ~		52100127							
							230V ~		52100128							
							24V =		52100129							
	Pressure release W3 Solenoid air operated		1050	15	20	50	24V ~	52100087								
							115V ~		52100088							
							230V ~		52100089							
							24V =		52100090							

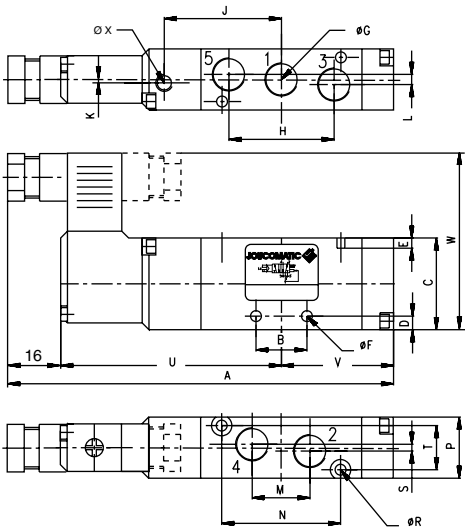
ACCESSORIES

Visual indicator (LED) and electrical protection (see P515-3)	24V =/~ 115V ~ 230V ~	88130401 88130402 88130403
Connector size 15 with cable outlet, 2 m long		88143567
Connector size 15 with built-in visual indicator and protection, with cable outlet, 2 m long (see P515-2).	24V =/~	88143580

SUBBASES : possible mounting on joinable subbases (see page 9). Fixing screws and seals are supplied with subbases.

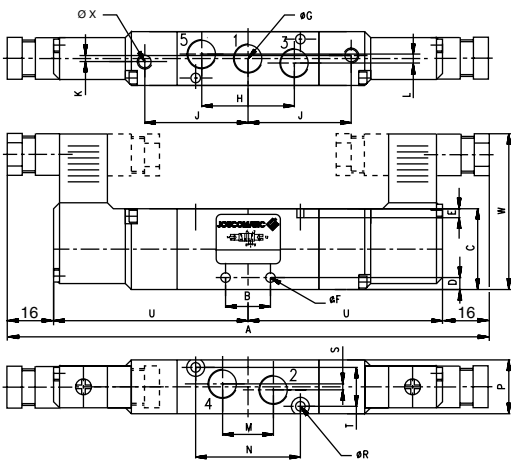
Series 519 - 520 - 521 (5/2 - 5/3)

DIMENSIONS AND WEIGHTS



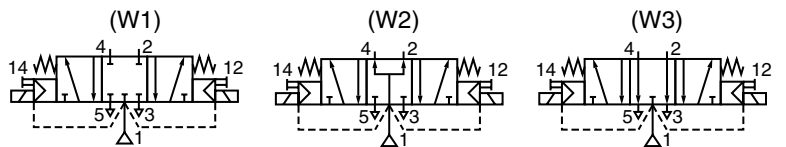
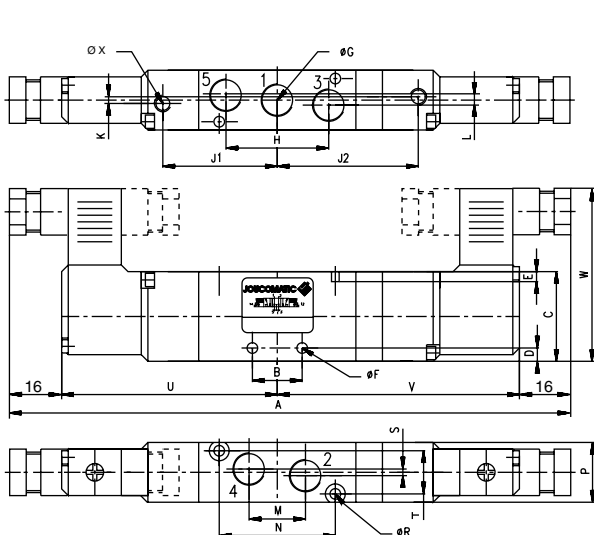
Series	A	B	C	D	E	ØF	ØG	H	J	K	L	M	N	P	ØR	S	T	U	V	W	ØX	
5/2	519	97,5	11	26	4	4	3,3	M5	21,6	26	-	-	11	19	15	2,7	6	11	56,5	25	52	4
	520	114	15	27	6	3	3,3	G1/8	32,4	34,3	1	3	16,2	35	18	3,2	-	13	64,8	33,2	54,5	4
	521	131,3	22	31	6,5	4	4,3	G1/4	44	43,2	-	4	22	50	22	4,2	4	16	73,7	41,6	56,5	3

⚖
519 = 85g
520 = 95g
521 = 155g



Series	A	B	C	D	E	ØF	ØG	H	J	K	L	M	N	P	ØR	S	T	U	W	ØX	
5/2	519	145	11	26	4	4	3,3	M5	21,6	26	-	-	11	19	15	2,7	6	11	56,5	52	4
	520	161,5	15	27	6	3	3,3	G1/8	32,4	34,3	2	3	16,2	35	18	3,2	-	13	64,8	54,5	4
	521	179,5	22	31	6,5	4	4,3	G1/4	44	43,2	-	4	22	50	22	4,2	4	16	73,7	56,5	3

⚖
519 = 135g
520 = 160g
521 = 200g



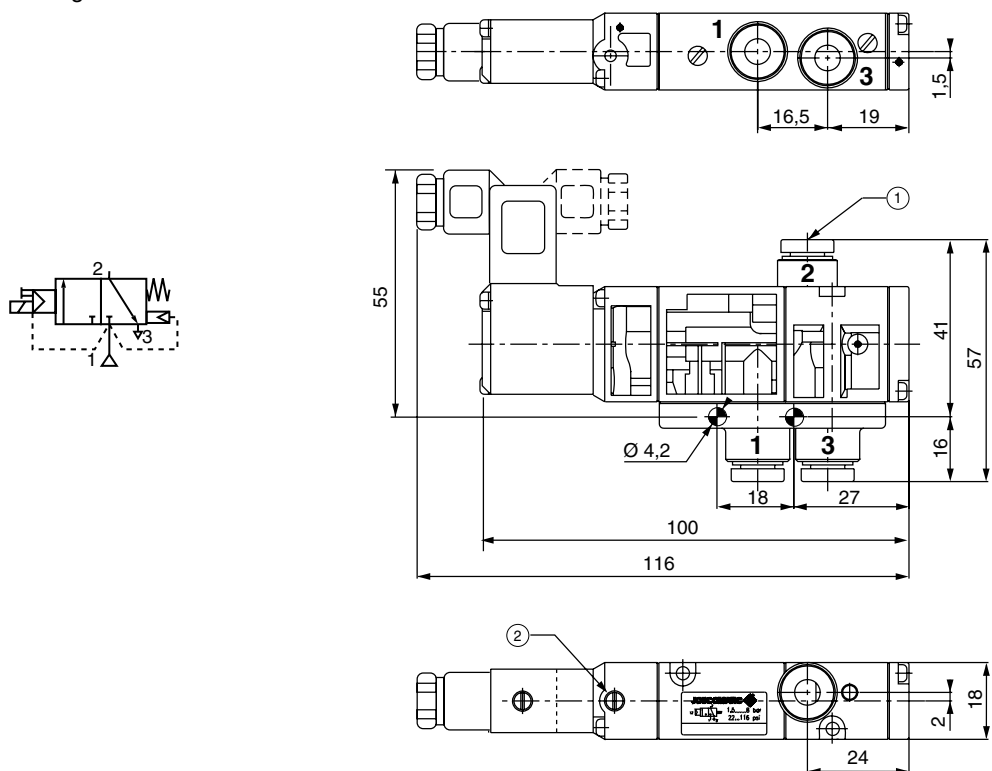
Series	A	B	C	D	E	ØF	ØG	H	J1	J2	K	L	M	N	P	ØR	
5/3	519	153	11	26	4	4	3,3	M5	21,6	26	34	-	-	11	19	15	2,7
	520	170,3	15	27	6	3	3,3	G1/8	32,4	34,3	43,3	2	3	16,2	35	18	3,2
	521	188,3	22	31	6,5	4	4,3	G1/4	44	43,2	52,1	-	4	22	50	22	4,2

Series	S	T	U	V	W	ØX	⚖	
5/3	519	6	11	56,5	64,5	52	4	140g
	520	-	13	64,8	73,7	54,5	4	170g
	521	4	16	73,7	82,6	56,5	3	210g

DIMENSIONS AND WEIGHTS

Connection **with instant fitting** version

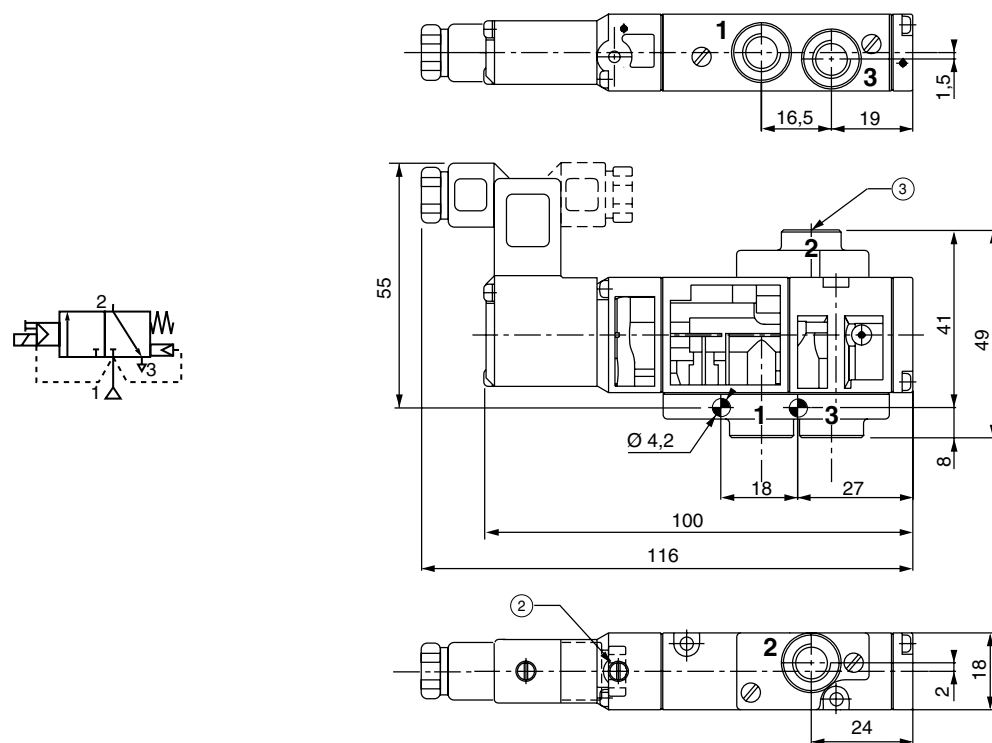
Weight : 102g



- ① 3 instant fittings Ø6 mm O. D. tube
- ② Manual override

Connection **tapped G 1/8** version

Weight : 94g



- ② Manual override
- ③ 3 x ports tapped G 1/8

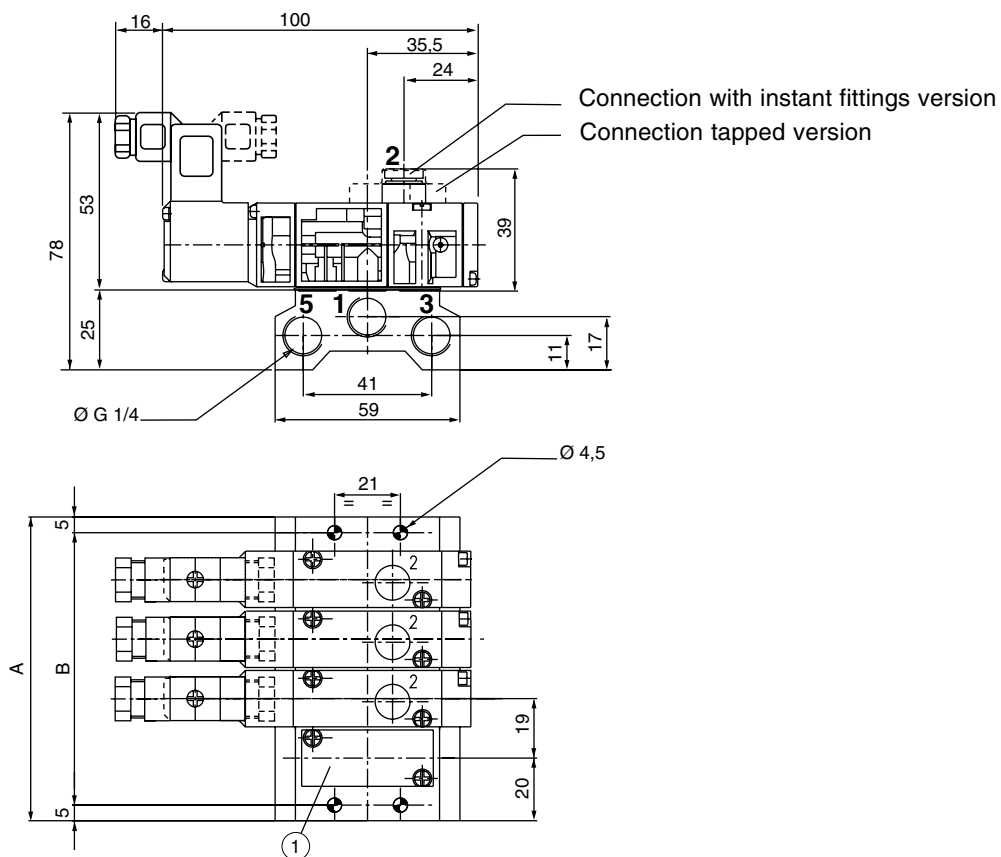
Series 520 (3/2) - subbase

DIMENSIONS AND WEIGHTS

Weight : valve only

Instant fittings version : 86 g

Tapped G 1/8 version : 86 g



① Blanking plate for base

	A	B	⚖️ (g)*	
Number of valves	2	59	49	145
	3	78	68	195
	4	97	87	240
	5	116	106	290
	6	135	125	340
	7	154	144	385
	8	173	163	435
	9	192	182	485
	10	211	201	530

* subbases only

JOINABLE SUBBASES

FOR SPOOL VALVES SERIES 519 - 520 - 521

Air and solenoid air operated

CHOICE OF EQUIPMENT

Number of valves	CODES		
	519 (Ø M5)	520 (G1/8)	521 (G1/4)
2	35500324	35500333	35500342
3	35500325	35500334	35500343
4	35500326	35500335	35500344
5	35500327	35500336	35500345
6	35500328	35500337	35500346
7	35500329	35500338	35500347
8	35500330	35500339	35500348
9	35500331	35500340	35500349
10	35500332	35500341	35500350
Flange (1)	88135525	88135532	-
Blanking plate (2)	88135526	88135527	88135528



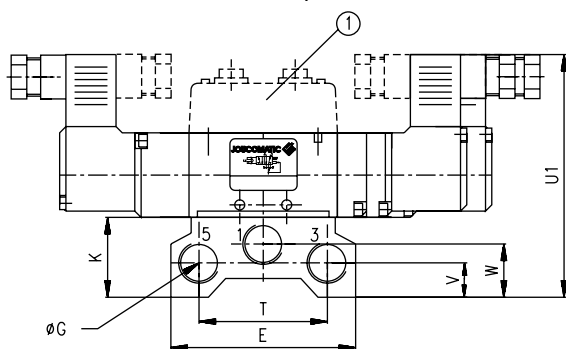
Subbases in light alloy are supplied with screws and seals for valve adaptation. Ports 1-3-5 can be connected at the 2 subbase ends. These subbases come with 3 plugs for ports 1-3-5.

MOUNTING RECOMMENDATIONS

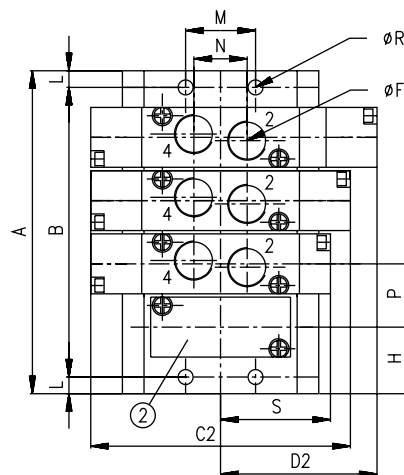
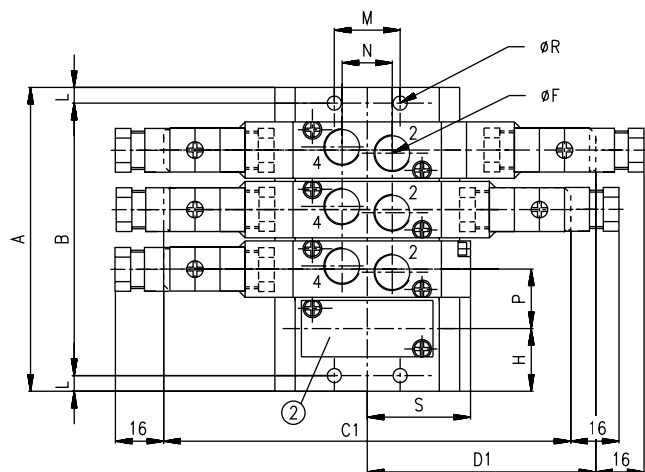
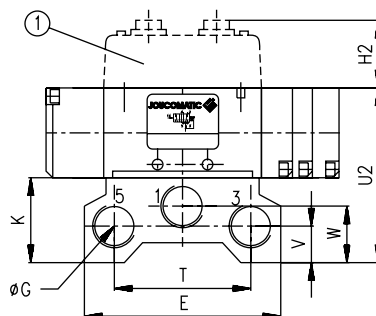
5 spool valves at most can be **simultaneously** operated without pressure loss. To operated more valves, pressure must be supplied through appropriate inlets on each side of the subbase.

DIMENSIONS AND WEIGHTS

Solenoid air operator



Air operator



Number of valves	A			B			△ (g) *		
	519	520	521	519	520	521	519	520	521
2	59	59	77	41	49	63	105	145	300
3	75	78	100	57	68	86	135	195	390
4	91	97	123	73	87	109	165	240	485
5	107	116	146	89	106	132	195	290	575
6	123	135	169	105	125	155	225	340	670
7	139	154	192	121	144	178	250	385	760
8	155	173	215	137	163	201	280	435	855
9	171	192	238	153	182	224	310	485	945
10	187	211	261	169	201	247	340	530	1040

- ① - Flange for ports 2-4 with instant fittings for flexible tube 4 mm O.D. (519) - 6 mm O.D. (520)
- ② - Blanking plate for base

	C1	C2	D1	D2	E	ØF	ØG	H	H2	K	L	M	N	P	ØR	S	T	U1	U2	V	W
519	113	61	64,5	38,5	46	M5	G1/8	21,5	15	20	9	16	11	16	4,5	25	32	72	46	8	13
520	129,5	85	73,2	51,5	59	G1/8	G1/4	20	23	25	5	21	16,2	19	4,5	33,5	41	80	52,5	11	17
521	147,3	100	82,6	59	74	G1/4	G3/8	27	-	30	7	26	22	23	5,5	41,5	52	87,5	62	13	19

* Subbases only

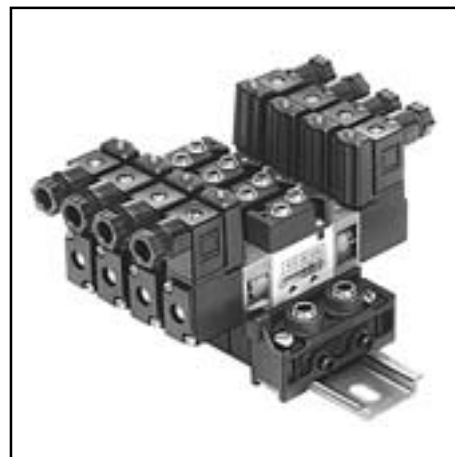


All leaflets are available on: www.ascojoucomatic.com

JOINABLE SUBBASES FOR SPOOL VALVES SERIES 519 Air and solenoid air operated

CONSTRUCTION

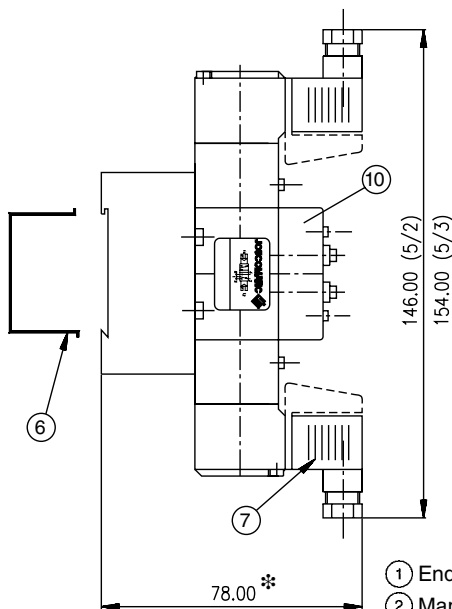
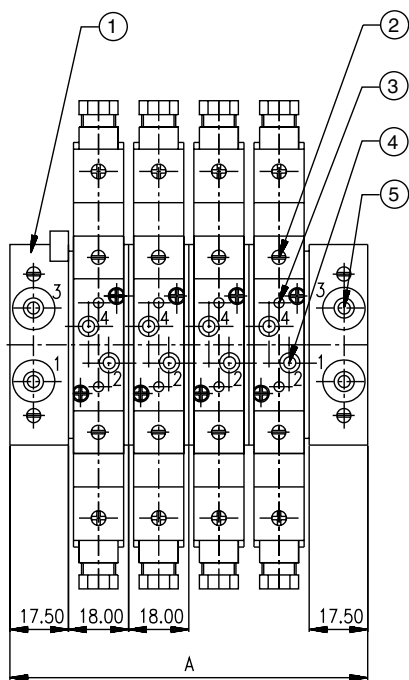
Subbase and flange in glass filled polyamide 6/6 (PA + FG)
Pressure indicator for ports 2 and 4, on flange, in polyether



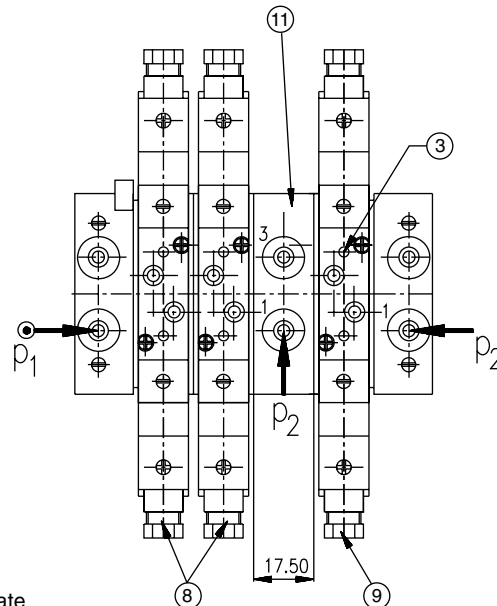
CHOICE OF EQUIPMENT

Description	CODES
Joinable subbase + 1 flange (with instant fittings for tube 4 mm O.D.) + locking screw	35500149
Set of 2 ends (with instant fittings for tube 6 mm O.D.)	30400001
Intermediate supply module (with instant fittings for 6 mm O.D.)	30400004
Flange for ports 2 - 4, with pressure indicators and instant fittings for flexible tube 4 mm O.D.	88135525
Blanking plate for base series 519	88135526
Visual indicator (LED) and electrical protection (see P515-3)	24V =/~ 88130401 115V ~ 88130402 230V ~ 88130403

DIMENSIONS



MOUNTING WITH 2 DIFFERENT PRESSURE SUPPLIES



Number of valves	3	4	5	6	7	8
A **	89	107	125	143	161	179

NOTE : Pressure supply (1) and exhaust (3) ports can be connected to the left or to the right side (plug unused port (1))

For pressure supply in P2, plug the port left unused

* + 15 mm for plug removal

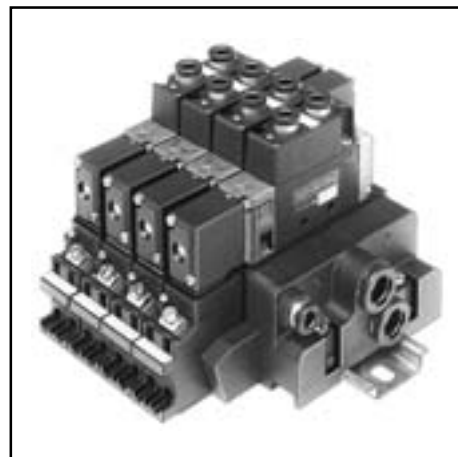
** When mounting with an intermediate supply module, add 17.5 mm to dimension A

- ① End plate
- ② Manual override (Push - Turn)
- ③ Pressure indicator on ports 2 and 4 (on flange)
- ④ Instant fittings for flexible tube 4 mm O.D.
- ⑤ Instant fittings for flexible tube 6 mm O.D.
- ⑥ Symmetrical rail EN 50 022
- ⑦ Connector CM6 (Pg7P) rotatable x 180°
- ⑧ Valves with pressure supply in P1
- ⑨ Valve(s) with pressure supply in P2
- ⑩ Flange for ports 2 - 4
- ⑪ Intermediate supply module for 2 different pressure supplies

PNEUMATIC DISTRIBUTION SET SERIES 520 WITH INTEGRATED CONNECTIONS

GENERAL

To save cabling cost, ASCO/JOUCOMATIC offers a pneumatic distribution set with integrated connection. This product can be fitted into control panels. It comprises joinable subbases fitted with modules of electrical and pneumatic connections for the solenoid / air operated, monostable or bistable valves of the series 520. Its dimensions-weight-flow rate ratio provides a high performing, modular, compact solution whenever a miniaturized installation is needed.



GENERAL SPECIFICATIONS OF THE VALVE

FLUID	: Air or neutral gas, filtered, lubricated or not
PORTS	: instant fitting or tapped G1/8
Ø ORIFICES	: 4 mm
FLOW (at 6 bar)	3/2 : 400 l/min (ANR) - Kv : 5,7 5/2 - 5/3 : 600 l/min (ANR) - Kv : 8,5
OPERATING PRESSURE	: 1,5 to 8 bar
TEMPERATURE	: +5°C to +50°C
FUNCTIONS	: 3/2 NC - NO, monostable 5/2 monostable or bistable
PILOT	: Electropneumatic internal pressure supply
RESPONSE TIME	: see pages 1 to 5

CONSTRUCTION

VALVE

Body in polyamid or light alloy
Cover in acetal resin(POM)
Internal parts stainless steel, light alloy and acetal (POM)
Sealing nitrile (NBR)
Manual override impulse and latchable (push-turn)

PILOT

Sealing nitrile (NBR)
Complies with NFC 79300
Encapsulated coil and iron circuit
3-spade coil orientated to ports 1 and 3

ELECTRICAL CHARACTERISTICS

Voltages		Consumption	Insulation Class	Protection degree	Electrical connection
~	24 V-115 V-230 V - 50/60 Hz	2 VA (1,5 W)	F	IP 20	Subbase with integrated connections. Screw terminals. Max. power : wire of section 0.75 mm ²
=	24 V	1,6 W			

CHOICE OF EQUIPMENT

Symbols Functions	Operators Pilot (14)	Return (12)	Connections (ports 2 - 4)	CODES			
				24 V ~	115 V ~	230 V ~	24 V =
3/2 NF 	Solenoid air	Differential	Instant fittings	52000283	52000284	52000285	52000183
			Tapped G 1/8	52000274	52000275	52000276	52000226
5/2 	Solenoid air	Spring	Instant fittings ⁽¹⁾	52000389 + 88135532	52000390 + 88135532	52000391 + 88135532	52000381 + 88135532
			Tapped G 1/8	52000389	52000390	52000391	52000381
	Solenoid air	Differential	Instant fittings ⁽¹⁾	52000062 + 88135532	52000064 + 88135532	52000065 + 88135532	52000063 + 88135532
			Tapped G 1/8	52000062	52000064	52000065	52000063
	Solenoid air	Solenoid air	Instant fittings ⁽¹⁾	52000067 + 88135532	52000068 + 88135532	52000069 + 88135532	52000066 + 88135532
			Tapped G 1/8	52000067	52000068	52000069	52000066

(1) In your order of 520 **5/2 with instant fittings**, please specify quantity and code of tapped version + quantity and code of pneumatic connection flange, code : **88135532**

Possibility to mounting other spool valves :

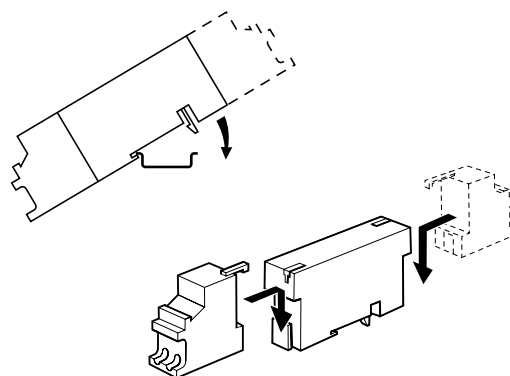
- **3/2 NO** version (operating pressure 2,5 to 8 bar) on request
- 5/3 version, consult us

SUBBASES : see overleaf.

Series 520

MODULAR CONSTRUCTION AND RAPID INSTALLATION

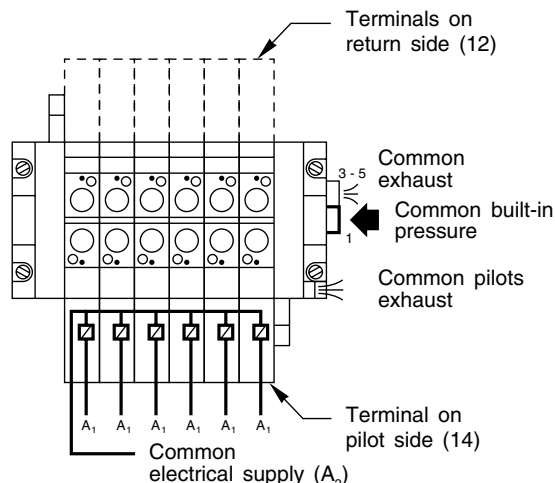
- Modularity of assembly :** The subbases connect together to build up a compact assembly with a width of each base standardised at 19 mm.
 The assembly can be fitted on to symmetrical rail 35 x 15 to EN 50022-DIN.
 Each subbase includes adjustable modules of electrical connections (on sides 12, 14) in order to connect directly solenoid valves and the built-in common electrical supply.
 Joinable subbases also include the inter-connections of the common pneumatic piping : pressure supply (1), exhausts (3, 5) and pilots exhaust.
- Modularity of functions :** The equipment can be equipped with either solenoid or air operated, monostable or bistable valves.



SIMPLIFIED CONNECTIONS

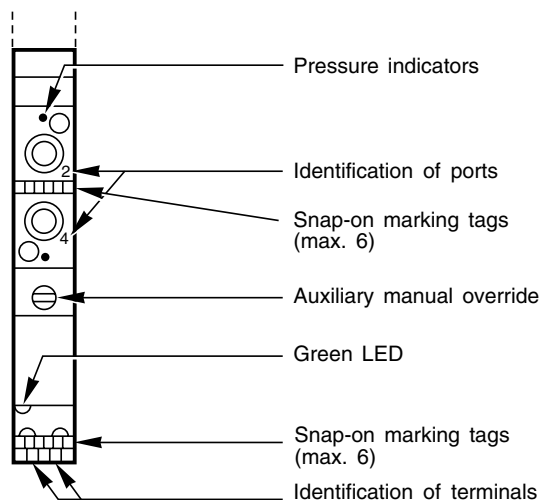
No auxiliary electrical accessory nor any pneumatic connection is required.

- Electrical connections :**
 - 1 wire to connect for each interface.
 - 1 built-in common pressure.
 - 1 earth connection.
- Pneumatic connections :**
 - All the ports are fitted with instant fittings for flexible tubes.
 - 1 common pressure port and one common exhaust port (3, 5) built-in which can be piped to either the left or to the right hand side.
 - 2 tubes to connect on ports (2, 4) either with instant fitting flanges or directly on tapped G 1/8.
 - 1 common exhaust of pilots 12, 14.



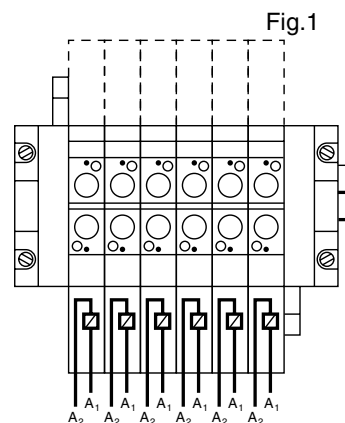
REDUCED MAINTENANCE AND SIMPLE FAULT FINDING

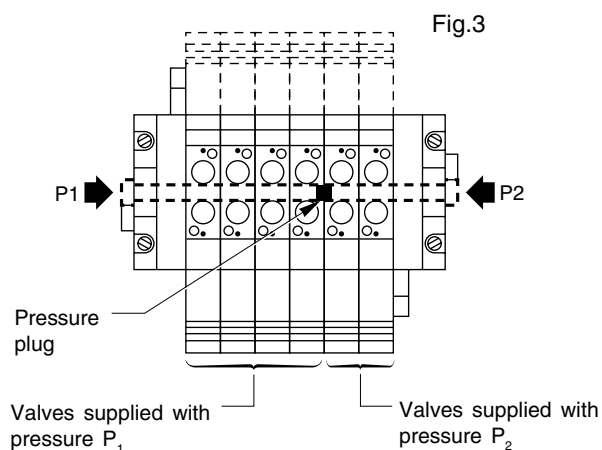
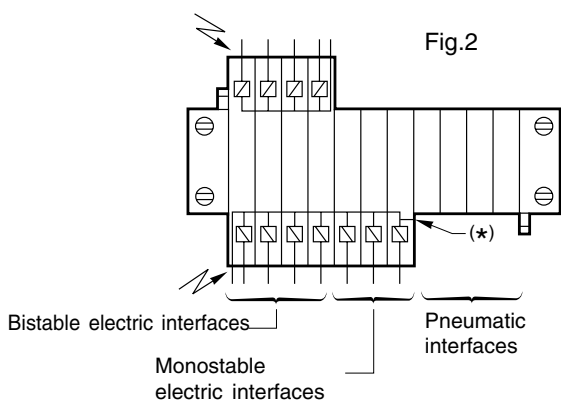
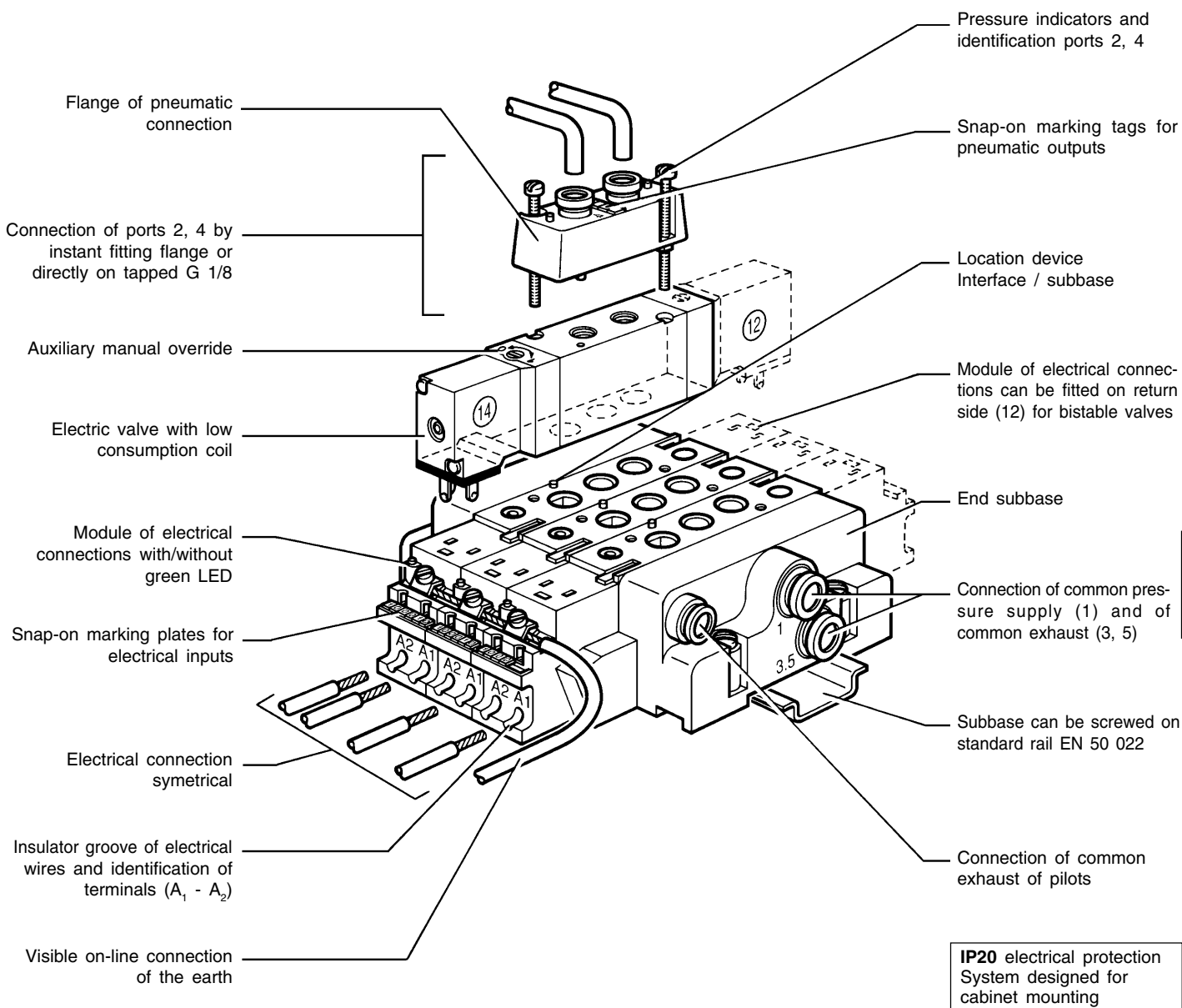
- Visual indication of the electrical input by LED with built-in protection by varistor.
- Pressure indicator of the pneumatic output on ports (2, 4), allowing simple fault diagnostic.
- Auxiliary manual override easily accessible on each pilot. This impulse model is latchable (push-turn).
- Marking tags on flanges and module.
- Identification of the electrical terminals.
- Identification of the pneumatic ports.
- Standard labelling.
- Due to the fact that the subbase has no working components, the valves can be removed from an assembly without affecting the wiring or piping.



OTHER CONNECTION POSSIBILITIES

- Electrical connections :**
 - The integral electrical common supply can be removed by changing the tag so that a different supply voltage can be used on each module (Fig.1).
 - Solenoid or air operated, monostable or bistable valves can be mounted on the same subbase system without affecting the electrical supply common (see Fig. 2).
 - Standard common electrical supply available (with connector(s) size 15).
- Pneumatic connections :**
 - Different supply pressure can be used by building in a separate plug 881 35 515 into the assembly.
 - Using 3 plugs within the common built-in pressure supply together with the 2 exhaust pipes allows isolation of 2 side by side valves.
 - Mounting of valves 5/3 : consult us.





(*) In this implementation, remove the last tag from the common supply.

Series 520

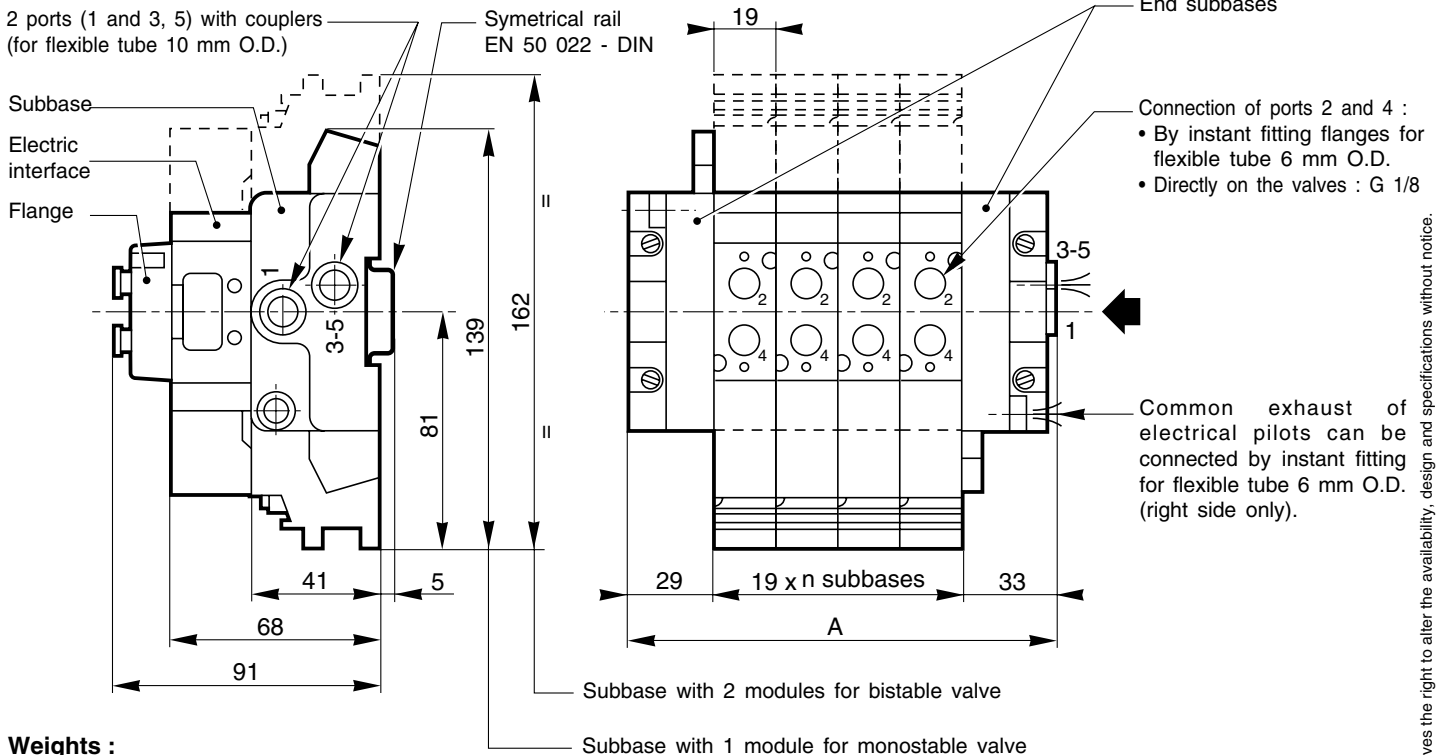
RANGE SPECIFICATION

Description	CODES	
Joinable subbase for mini valve series 520	35500206	
Set of two end subbases for one-side connection, with couplers (for 10 mm O.D. tube)	35500216	
Set of two end subbases for two-side connection, with couplers (for 10 mm O.D. tube)	35500209	
Module of electrical connection with LED and varistor	24 V dc / ac	88100077
	115 V ac	88100078
	230 V ac	88100079
Module of electrical connection without LED nor varistor	88100076	
Connecting flange for ports 2, 4 with pressure indicators and instant fitting (for 6 mm O.D. tube)	88135532	
Plug for 2 different pressure inputs on subbases	88135515	
Blanking plate for subbase mounting face	88135516	
Set of marking tags : numbers 0 to 9, 10 times each letters A to Z, 10 times each marks + and —, 10 times each	88100084	

ASSEMBLY

- Up to 10 interfaces can be mounted with **one side** supply (right side) : use the set of end subbases **35500216**
- Over 10 interfaces, the common pressure supply is on **both sides** : use the set of end subbases **35500209**.
- Max. allowable number of joinable interfaces = 20.
- A maximum number of 5 interfaces can work simultaneously.
- Pressure supply may be connected on either left or right side or on both side ; **2 supplies of different pressures may be connected fitting end subbases 35500209.**

DIMENSIONS AND WEIGHTS



Weights :

Subbase	35 g
2 end subbases	190 g
Module of electrical connection	30 g
Monostable valve	95 g
Bistable valve	135 g
Pneumatic connection flange	20 g

Number of subbases	3	4	5	6	7	8	9	10
A (mm)	119	138	157	176	195	214	233	252